



Product Data Sheet

Product : Rotating Spray Head
Type : UBF

... Tank Cleaning Technology since 1925

The Butterworth UBF rotating spray head offers 270° coverage for the cleaning of the inside of small tanks, process vessels, pipes, and other small containers.

Industries

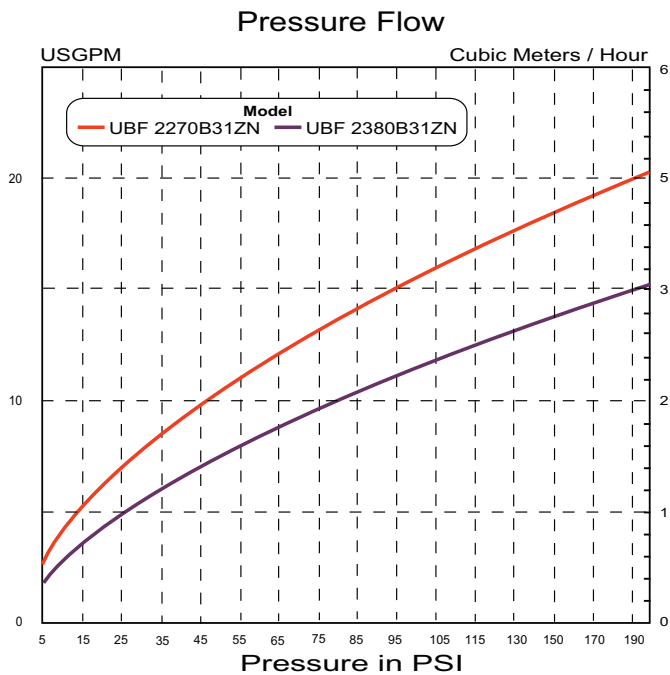
The Butterworth UBF has been designed to fit through an opening as small as 1.00" in diameter. As standard, made completely of high quality 316L stainless steel with a high polished finish. Typical uses are small containers used within the beverage industry; small bore pipes, and as augmentation to larger CIP installations.

Operational

The Butterworth UBF is a Rotating Spray Head (RSH) and completes a full pattern in one rotation of the head. The higher the inlet pressure, the faster the rotation of the head itself. The amount of run time and pressure will vary... depending on the cleaning requirement.

User Benefits

- Reduced Cleaning Times
- Reduced Effluent Generation
- Reduced Energy Costs



General Specifications

Materials:

- All : 316L Stainless Steel

Weight:

- 316L Stainless Steel : 0.545 lbs (.247 kg)

Lubrication:

- Lubricated by fluid flowing through the device

Pressure:

- Range : 0-200 PSIG (0-13.79 bar)
- Optimal : 100 PSIG (6.89 bar) (Optimal will vary on the application)

Temperature:

- Maximum working : 205° F (96° C)
- Maximum static : 300° F (149° C)

Connection Types:

- .50" NPT (F) threads as standard; others on request

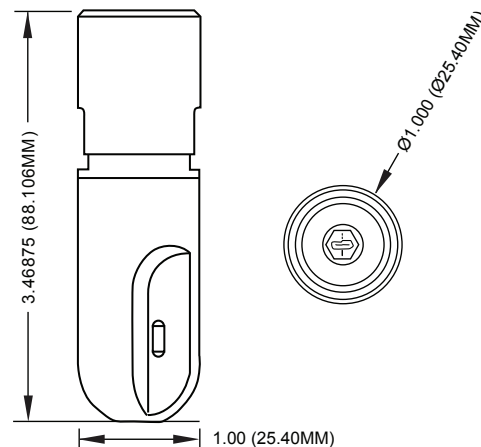
Surface Finish:

- Standard : 25-35 Ra μ
- Electropolished : ≤ 20 Ra μ

Nominal Wetting Radius:

- 4.9 Feet (1.49 meters)

Dimensional Information:



Type UBF - Standard Model Reference Table

(Custom configurations on request. Subject to Engineering Charges)

Model No.	Inlet Connection	M.O.C.	Spray Pattern
UBF 2270B31ZN	0.50" NPT(F)	316L	270°
UBF 2380B31ZN	0.50" NPT(F)	316L	270°

Butterworth, Inc.

16737 West Hardy Road, Houston TX 77060
Phone: 281.821.7300 • Fax: 281.821.5550 • www.butterworth.com

Butterworth