



**Product Data Sheet**  
**Product: ManWay Assembly**  
**Part No.: See table below**

*The Butterworth ManWay Assembly is specifically designed to seat in most all center entry manway's located on Road and Rail Tankers. This assembly is complete with 1.50" male cam and groove inlet connection. A vapor port is also fitted as standard with this item.*



### Part Number Reference Table

Part No.	Weight	Drop Pipe Length
SSHC30-316	66 Lb.	30"
SSHC45-316	72 Lb.	45"

Custom lengths and shapes available upon request.

### General Specifications

**Materials Of Construction:**

- 316L Stainless Steel

**Vapor Port:**

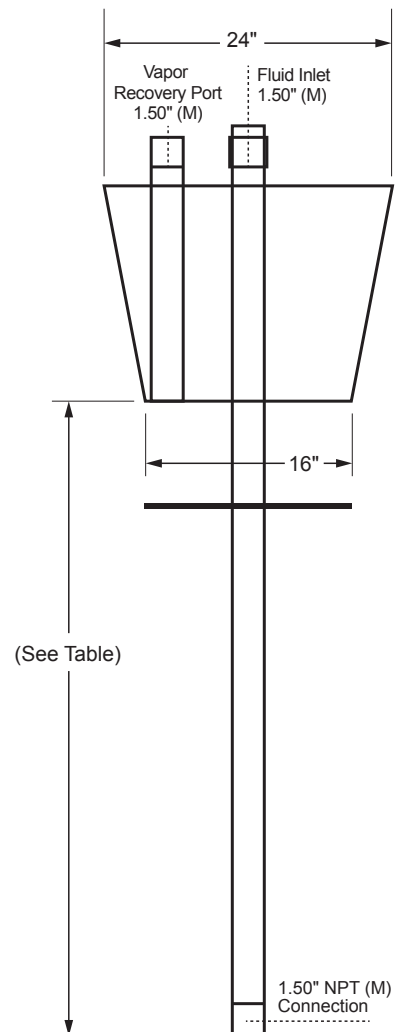
- Yes

**Maximum Opening:**

- 24.00"

**Minimum Opening:**

- 18.00"



**Butterworth**

**Butterworth, Inc.**

16737 West Hardy Road, Houston, TX 77060  
Phone: 281.821.7300 • Fax: 281.821.5550 • [www.butterworth.com](http://www.butterworth.com)



**Product Data Sheet**  
**Product: ManWay Assembly**  
**Part No.: See table below**

*This Butterworth ManWay Assembly is specifically designed as a light weight and economical approach to placing an automated tank cleaning machine into typical openings associated with a variety of tank openings.*



### Part Number Reference Table

Part No.	Weight	Drop Pipe Length
SSHP30-316	15.2 Lb.	30"
SSHP45-316	18.61 Lb.	45"

Custom configurations available on request.

### General Specifications

**Materials Of Construction:**

- 316L Stainless Steel

**Vapor Port:**

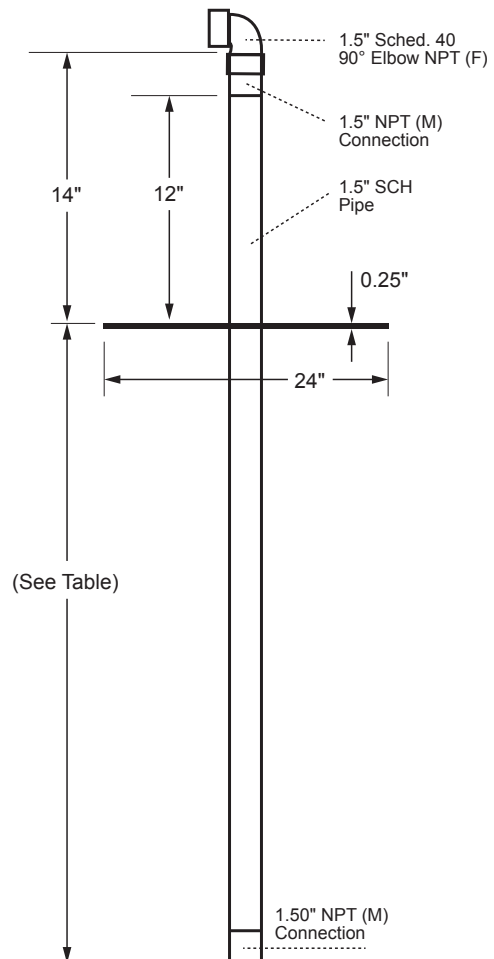
- Yes

**Maximum Opening:**

- 24.00"

**Minimum Opening:**

- 6.00"



**Butterworth**

**Butterworth, Inc.**

16737 West Hardy Road, Houston, TX 77060  
Phone: 281.821.7300 • Fax: 281.821.5550 • [www.butterworth.com](http://www.butterworth.com)