



Product Data Sheet

Product: Bumpers/Coating Protectors
 Type: LT and LTFT Machine Only

Butterworth bumpers for type LT and LTFT tank-cleaning machines have been designed to reduce the chances of damage to the machine due to mishandling and to assist in the protection of tank coatings for portable cleaning operations.

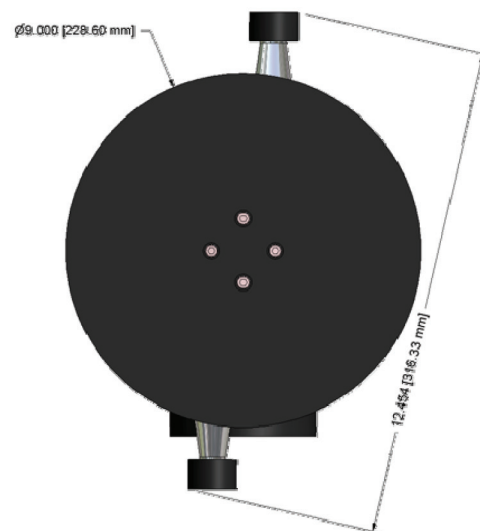
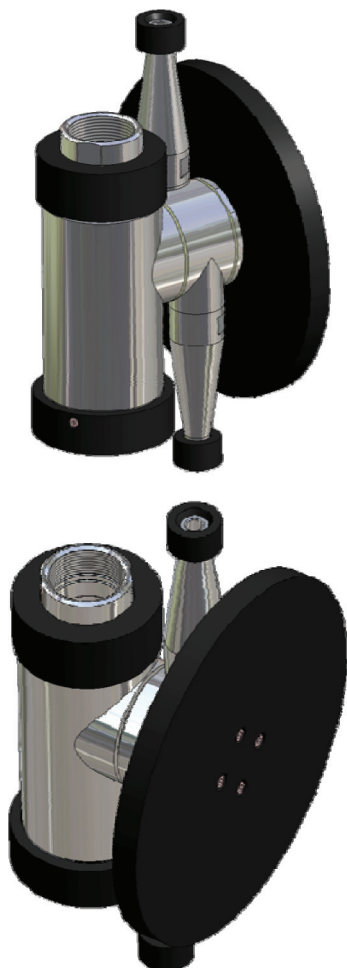
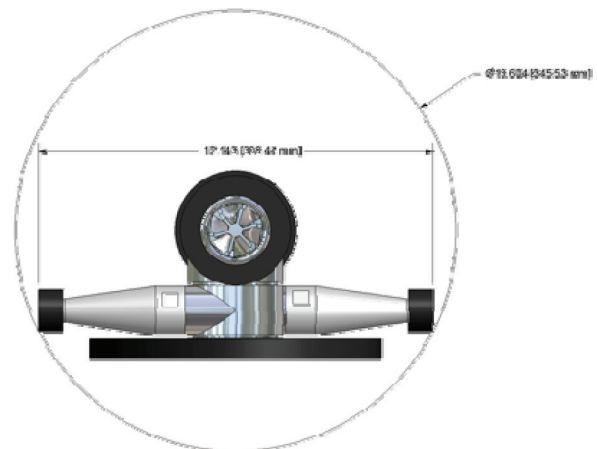
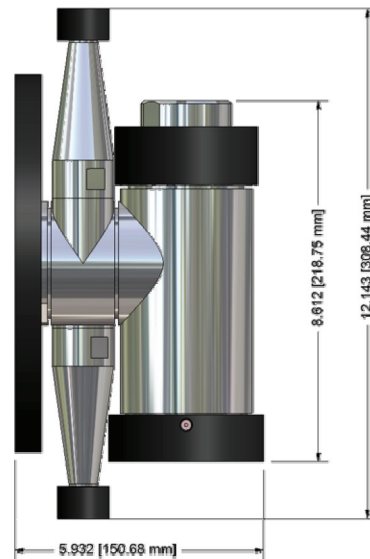
Part #	Qty	Description	Material
470903	1	Top Bumper	Nitrile
470902	1	Bottom Bumper	Nitrile
470904	1	Nozzle Cap Bumper	Nitrile
470901	2	Nozzle Tip Bumper	Nitrile
470905	4	Socket Head Cap Screw	316LSS
M9578	3	Flat Head Screw	316LSS
5657B	1	End Plate (LT)	316LSS
7657B	1	End Plate (LTFT)	316LSS
477019B	1	Nozzle Cap	316LSS

Application Benefits

- Increased life of machine in portable cleaning applications.
- Protection of tank coatings.
- Reduction of spark generation in the event of dropping.

Note:

It is recommended that these products are factory installed or installed by an authorized Butterworth Service Center.



Butterworth

Butterworth, Inc.

16737 West Hardy Road, Houston, TX 77060

Phone: 281.821.7300 • Fax: 281.821.5550 • www.butterworth.com