



Product Data Sheet

Product : Rotating Spray Head
Type : UBC

... Tank Cleaning Technology since 1925

The Butterworth Type UBC rotating spray head projects sheets of water on a variety of spray patterns, using low volumes of water with considerably higher fluid impact values when compared to conventional static spray balls.

In Application

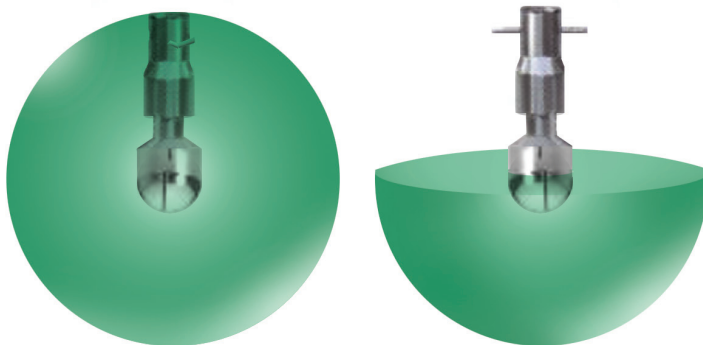
The Type UBC device can be used in hygienic and non-hygienic applications. The device is 100% self-rinsing. A variety of connection types are available and typically are installed permanently in a given tank or vessel. The Type UBC device can also be used on a portable basis when desired.

Typical Applications include but not limited to...

- Soup Kettles
- Yeast Propagation Tanks
- Batch Processing Vessels
- Fluid Bed Dryers
- Ink and Paint Mixing Vats
- Brew Kettles
- Storage Tanks
- Spray Dryers
- Commercial Ovens

Operation

The flow of fluid through the Type UBC device will cause the projections of fluid through the fluid slots of the unit. This flow of fluid is at a slight angle to the radius of the ball and causes a transitional reaction. This reaction sets the ball in rotation. Rotation speed of the ball is relative to the fluid pressure exerted at the inlet of the device.



360°

180° Down



General Specifications

Materials:

Race Housing:

- SAF2205 – Standard
- AISI 303 – Optional

Bearings:

- AISI 316 – Standard
- PTFE (Alternating) – Optional
- AISI 303 – Optional

Other Components:

- AISI 316 – Standard
- AISI 303 – Optional

See model number table for additional information on materials, or you may request a specification drawing from your Butterworth Sales Engineer for the selected model.

Weight:

- Clip-on : 0.68 lbs (0.309 kg)
- Threaded : 0.68 lbs (0.309 kg)

Lubrication:

- Lubricated by fluid flowing through the device

Pressure:

- Range : 0-105 PSI

Temperature:

- Maximum working : 205° F (96° C)
- Maximum static : 300° F (149° C)

Fluid Radius:

- Maximum effective : 11 feet (3.35 meters)

Connection Types:

- 1/2", 3/4", 1.00", 1.25" : NPT(F) threaded and clip-on

Surface Finish:

- Standard : 25-35 Ra μ
- Electropolished : ≤ 20 Ra μ

Certified Dimensional Drawing(s):

- DWG1636

BUTTERWORTH

Butterworth, Inc.

16737 West Hardy Road, Houston TX 77060
Phone: 281.821.7300 • Fax: 281.821.5550 • www.butterworth.com



Product Data Sheet

Product : Rotating Spray Head
 Type : UBC

... Tank Cleaning Technology since 1925

Type UBC - Part Number Designations

Nozzle Code	RF	Flow rates (gpm at various pressures (psi))				Angle AA	Max Throw MT	Weight W lbs.	Dimensions	
		30	45	75	105				L	DIA
UBC 2899 B3x	½"	19	24	31	43	360	80"	0.66	4 ½"	1 ¾"
UBC 2900 B3x	¾"	19	24	31	43	360	80"	0.66	4 ½"	1 ¾"
UBC 3120 B3x	1"	26	32	41	48	360	80"	1.3	4 ½"	1 ¾"
UBC 3300 B3x	1 ¼"	65	79	103	121	360	80"	1.5	5"	2 ⅞"

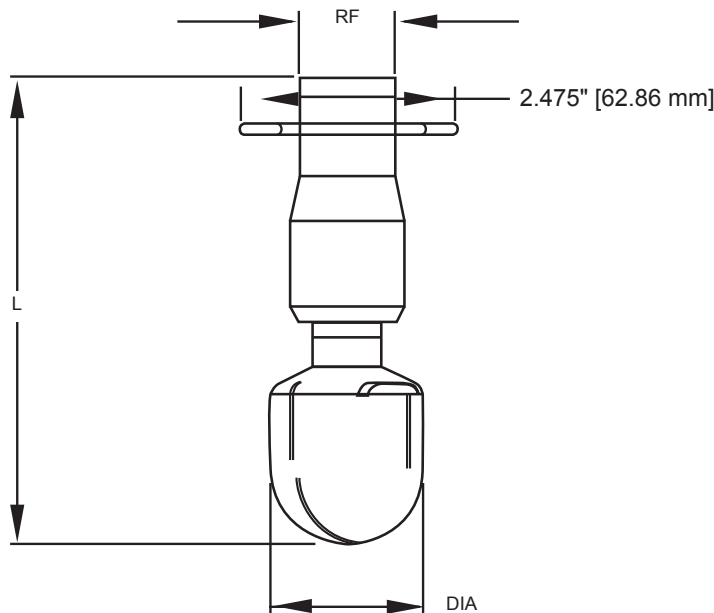
The UBC series is supplied either with a standard threaded female pipe connection or, for applications where frequent cleaning is required, a clip-on fitting, with a safety locking pin. To order the slip-on fitting, add the letter 'C' to the nozzle code shown in the table.

Connection: Female Thread
 (add 'N' to Nozzle code)
 Clip-on fitting
 (add 'C' to Nozzle code)

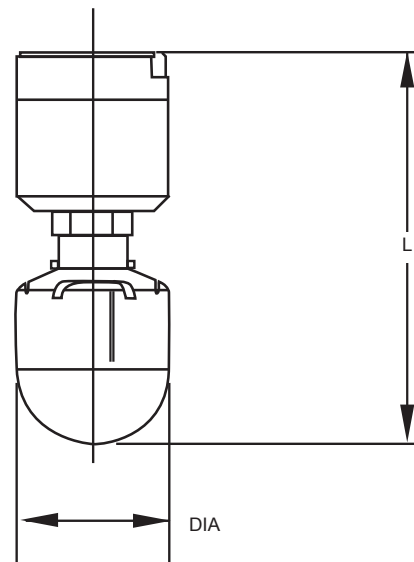
Spray Angle: 180° Down
 (add 'Z' to Nozzle code)
 360°
 (add 'S' to Nozzle code)

General Dimensions - UBC Shown

Clip-On



Threaded



Butterworth, Inc.

16737 West Hardy Road, Houston TX 77060

Phone: 281.821.7300 • Fax: 281.821.5550 • www.butterworth.com

Butterworth