



## Product Data Sheet

Product: Bumpers/Coating Protectors  
 Type: LT and LTFT Machine Only

*Butterworth bumpers for type LT and LTFT tank-cleaning machines have been designed to reduce the chances of damage to the machine due to mishandling and to assist in the protection of tank coatings for portable cleaning operations.*

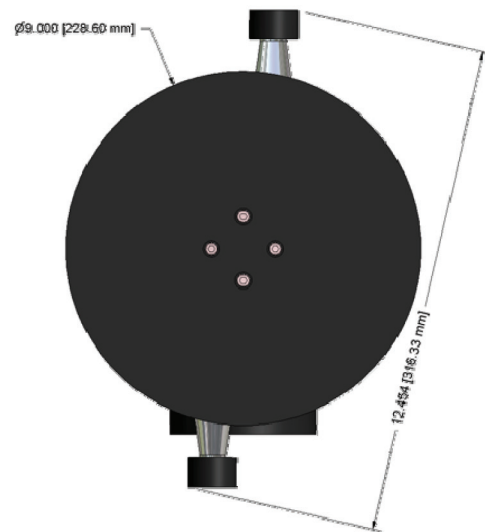
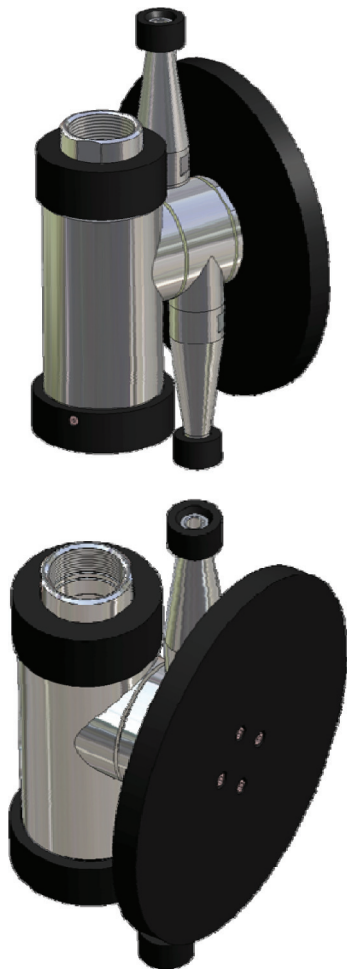
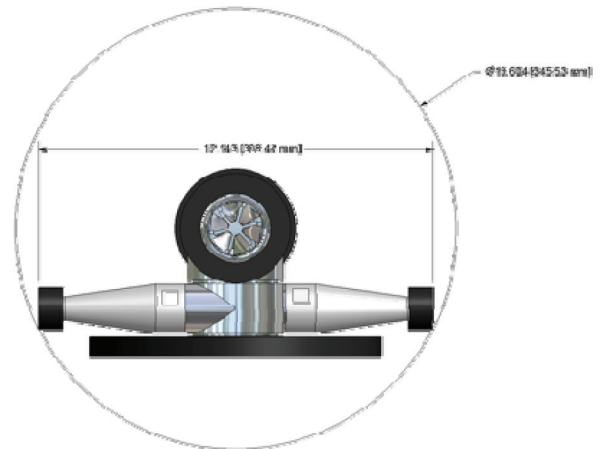
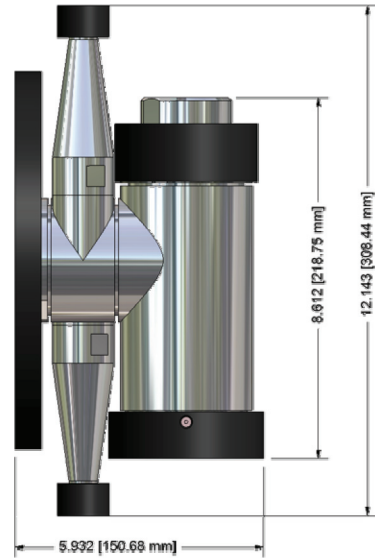
Part #	Qty	Description	Material
470903	1	Top Bumper	Nitrile
470902	1	Bottom Bumper	Nitrile
470904	1	Nozzle Cap Bumper	Nitrile
470901	2	Nozzle Tip Bumper	Nitrile
470905	4	Socket Head Cap Screw	316LSS
M9578	3	Flat Head Screw	316LSS
5657B	1	End Plate (LT)	316LSS
7657B	1	End Plate (LTFT)	316LSS
477019B	1	Nozzle Cap	316LSS

### Application Benefits

- Increased life of machine in portable cleaning applications.
- Protection of tank coatings.
- Reduction of spark generation in the event of dropping.

### Note:

It is recommended that these products are factory installed or installed by an authorized Butterworth Service Center.



Butterworth

**Butterworth, Inc.**

16737 West Hardy Road, Houston, TX 77060

Phone: 281.821.7300 • Fax: 281.821.5550 • [www.butterworth.com](http://www.butterworth.com)